



# EPT20-15EHJ

Semi Electric Truck 1.5t

■ New Choice of Entry-level Electric Pallet Truck

EP EQUIPMENT CO.,LTD  
[www.ep-ep.com](http://www.ep-ep.com)



## ▣ FEATURE

---

### ■ Light Weight, Great Capacity, Excellent Passingability:

1500KG capacity, light weight and compact size equivalent to hand pallet trucks.

### ■ Patented Design:

New Integrated Control Head Design, Easy & Comfortable Operation.

### ■ External Control System:

Patent designed external control system not only protects controller in place but also provides easy access for maintenance.

### ■ Operation:

Ergonomically-designed tiller head helps increase efficiency; Internal Charger for Easy Charging.

### ■ Safety:

Handy Emergency Disconnect Button & Durable Driving Unit ensure safety under any situation.

### ■ Maintenance:

Assembly Components, Easy for Diagnosis and Replacing.



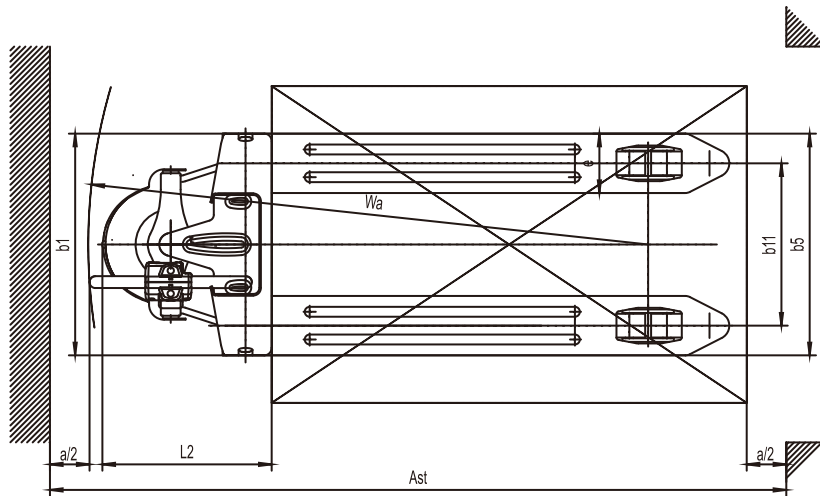
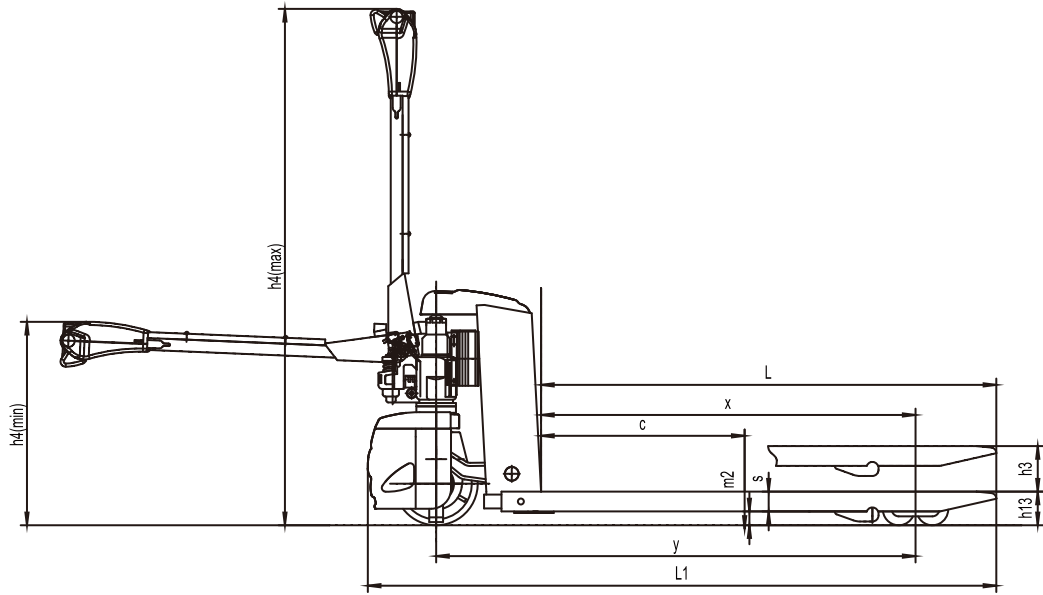
# Semi Electric Truck 1.5t

## EPT20-15EHJ

| Distinguishing mark |   |                                    |                    |
|---------------------|---|------------------------------------|--------------------|
| 1.1                 | Manufacturer  |                                    | EP                 |
| 1.2                 | Model designation                                       |                                    | EPT20-15EHJ        |
| 1.3                 | Drive unit  |                                    | Electric           |
| 1.4                 | Type of operation                                       |                                    | pedestrian         |
| 1.5                 | Rated capacity  | Q kg                               | 1500               |
| 1.6                 | Load center distance                                    | c mm                               | 600                |
| 1.8                 | Load distance   | x mm                               | 883/946            |
| 1.9                 | Wheelbase   | y mm                               | 1152/1215          |
| Weight              |   |                                    |                    |
| 2.1                 | Service weight (include battery)                        | kg                                 | 140                |
| 2.2                 | Axle loading, laden driving side/loading side           | kg                                 | 540/1100           |
| 2.3                 | Axle loading, unladen driving side/loading side         | kg                                 | 110/30             |
| Types,Chassis       |   |                                    |                    |
| 3.1                 | Tyre type driving wheels/loading wheels                 |                                    | PU/PU              |
| 3.2                 | Tyre size, driving wheels (diameter*width)              | mm                                 | Φ210x70            |
| 3.3                 | Tyre size, loading wheels (diameter*width)              | mm                                 | 2x Φ80x60 (Φ74x88) |
| 3.4                 | Tyre size, caster wheels (diameter*width)               | mm                                 |                    |
| 3.5                 | Wheels, number driving, caster/loading (x=drive wheels) | mm                                 | 1x /4              |
| 3.6                 | Track width, front,driving side                         | b <sub>10</sub> mm                 |                    |
| 3.7                 | Track width,rear,loading side                           | b <sub>11</sub> mm                 | 410 (535)          |
| Dimensions          |   |                                    |                    |
| 4.4                 | Lift height   | h <sub>3</sub> mm                  | 115                |
| 4.9                 | Height drawbar in driving position min./max.            | h <sub>14</sub> mm                 | 715/1280           |
| 4.15                | Lowered height  | h <sub>13</sub> mm                 | 85(75)             |
| 4.19                | Overall length  | l <sub>1</sub> mm                  | 1588               |
| 4.2                 | Length to face of forks                                 | l <sub>2</sub> mm                  | 438                |
| 4.21                | Overall width   | b <sub>1</sub> / b <sub>2</sub> mm | 560(685)           |
| 4.22                | Fork dimensions   | s/ e/ l mm                         | 50/150/1150        |
| 4.25                | Distance between fork-arms                              | b <sub>5</sub> mm                  | 560/685            |
| 4.32                | Ground clearance, center of wheelbase                   | m <sub>2</sub> mm                  | 35                 |
| 4.34.1              | Aisle width for pallets 1000 × 1200 crossways           | Ast mm                             | 1669               |
| 4.34.2              | Aisle width for pallets 800 × 1200 lengthways           | Ast mm                             | 1869               |
| 4.35                | Turning radius  | Wa mm                              | 1415               |
| Performance data    |   |                                    |                    |
| 5.1                 | Travel speed, laden/ unladen                            | km/ h km/h                         | 3.5/4              |
| 5.2                 | Lifting speed, laden/ unladen                           | m/ s                               | 10mm/time          |
| 5.3                 | Lowering speed, laden/ unladen                          | m/ s                               | Controlable        |
| 5.8                 | Max. gradeability, laden/unladen                        |                                    | 2/6                |
| 5.1                 | Service brake type                                      |                                    | Electromagnetic    |
| Electric-engine     |   |                                    |                    |
| 6.1                 | Drive motor rating S2 60 min                            | kW                                 | 0.65               |
| 6.2                 | Lift motor rating at S3 15%                             | kW                                 | Manual Lifting     |
| 6.3                 | The maximum allowed size battery                        | mm                                 | 185/125/190        |
| 6.4                 | Battery voltage/nominal capacity K20                    |                                    | 24/30              |
| 6.5                 | Battery weight  | kg                                 | 9.5*2              |
| Addition data       |   |                                    |                    |
| 8.1                 | Type of drive control                                   |                                    | DC                 |
| 10.5                | Steering type   |                                    | Mechanical         |
| 10.7                | Sound pressure level at the driver's ear                |                                    | 74                 |

1.The parameters in the table are of the standard model. For more information, please contact us.

2.The parameters are subject to change without notice.



## Option

| Options           | EPT20-15EHJ                         |
|-------------------|-------------------------------------|
| Fork length       | ●800/915/1000/1070/1100/1300/1400mm |
| Fork width        | ●520/600mm                          |
| Single load wheel | ●                                   |
| Driving wheel     | PU wheel with Pattern               |
| Scale             | ●                                   |